

FURRION

GAS & ELECTRIC OVEN

FCRD22LA-SS



1400W

ELECTRIC OVEN

9000
BTU

GAS OVEN



12V DC

PULSE
IGNITER



GAS SAFETY
AUTO CUT-OFF

888^{°F}

ELECTRIC
THERMOSTAT CONTROL



OVEN LIGHT



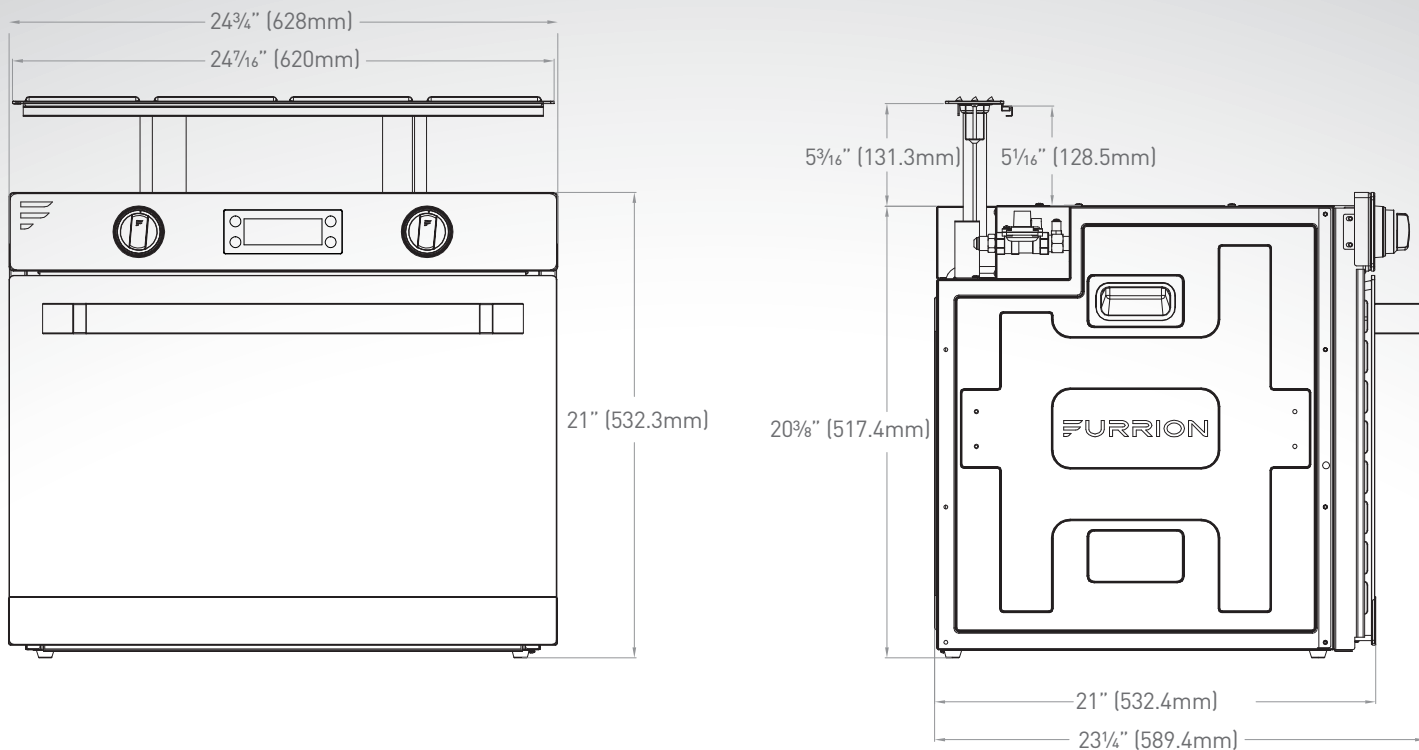
COOLING FAN



TRIPLE LAYER
GLASS DOOR



FCRD22LA-SS | GAS & ELECTRIC OVEN



Specifications

LED Display	12V
Ignitor	12V
Cooling Fan	12V
Oven Light	12V
Cavity Convection Fan	120V
Heat Element	12V

Dimensions

Product Size (L x H x W)	24 3/4" x 21" x 23 1/4"
	(628 x 532.3 x 589.4mm)

Packaging Information

Packaging Type	Brown box
Quantity Per Box (pcs)	1
Individual Packaging Dimensions (L x H x W)	
Individual Packaging Gross Weight (kg/lbs)	
Individual Packaging Net Weight (kg/lbs)	

Container Load Information

20' Container Load (pcs)	180
40' Container Load (pcs)	360
40'HQ Container Load (pcs)	420