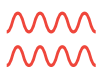


FURRION

DUAL INDUCTION COOKTOP

FIH2ZEA-BG



VIBRATIONSMART



CLIMATESMART

1800W

POWER SHARING



UP TO
180 mins.TIMER



150-450°F
Temp. SETTING



AUTO PAN
DETECTION

11

TEMPERATURE
CONTROL



AUTO SAFETY
SHUT OFF



CHILD LOCK

- Timer up to 180 minutes; long press adds 10 minutes, short press to add 1 minute
- 4-digit LED display
- 10 heating levels from 300W to 1500W
- Automatic safety shut-off in 2 hours

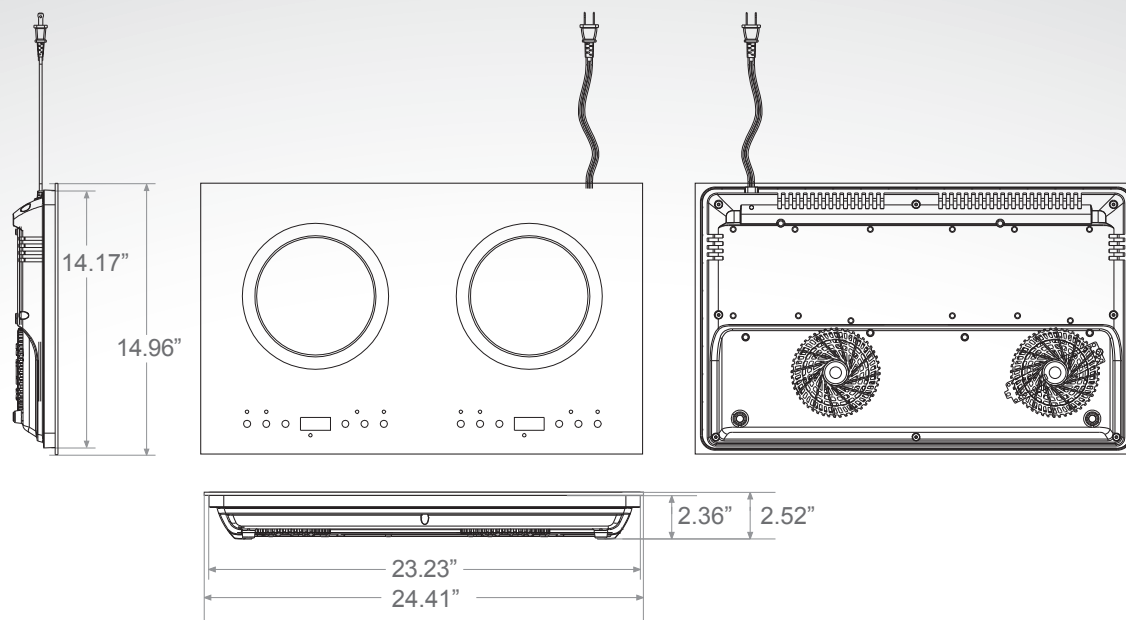
- 11 temperature control, temperature range:150-450°F
- 15 Amp power sharing
- Auto pan detection
- Childproof lock

* Flat bottom cast iron, enamel cast iron and most types of steel cookware can be used with an induction cooktop.

* Do not use aluminum, copper or glass-based cookware.



FIH2ZEA-BG | DUAL INDUCTION COOKTOP



Configuration

No. of Cooking Zones	2
Left Cooking Zone 1 – 7"	1500W
Right Cooking Zone 1 – 7"	1500W
Warming Function	Both Zones
Power Sharing	Both Zones

Controls

Type	Electronic Glass Touch
Location	Front
Touch Pads	12
Kitchen Timer	1 - 180 minutes

Safety Features

Automatic Shut-Off	✓
Hot Surface Indication	✓

Finish

Surface / Trim	Ceramic Black Glass
----------------	---------------------

Power Source

Electric Supply	120V AC 60Hz
Max. Amp Load	15Amp
Power Cable Location	Rear Center
Total Connected Load	1800W
Power Source	Electric

Dimensions

Glass Size	15" x 24 ⁷ / ₁₆ "
Product Size (L x H x W)	24 ⁷ / ₁₆ " x 15" x 2 ¹ / ₁₆ "

Packaging Information

Packaging Type	Color Gift Box
Quantity Per Box (pcs)	1
Individual Packaging Dimensions (L x H x W)	26 ¹³ / ₁₆ " x 4 ¹⁵ / ₁₆ " x 18 ¹⁵ / ₁₆ "
Individual Packaging Gross Weight (kg/lbs)	7.2/15.8
Individual Packaging Net Weight (kg/lbs)	5.8/12.8